

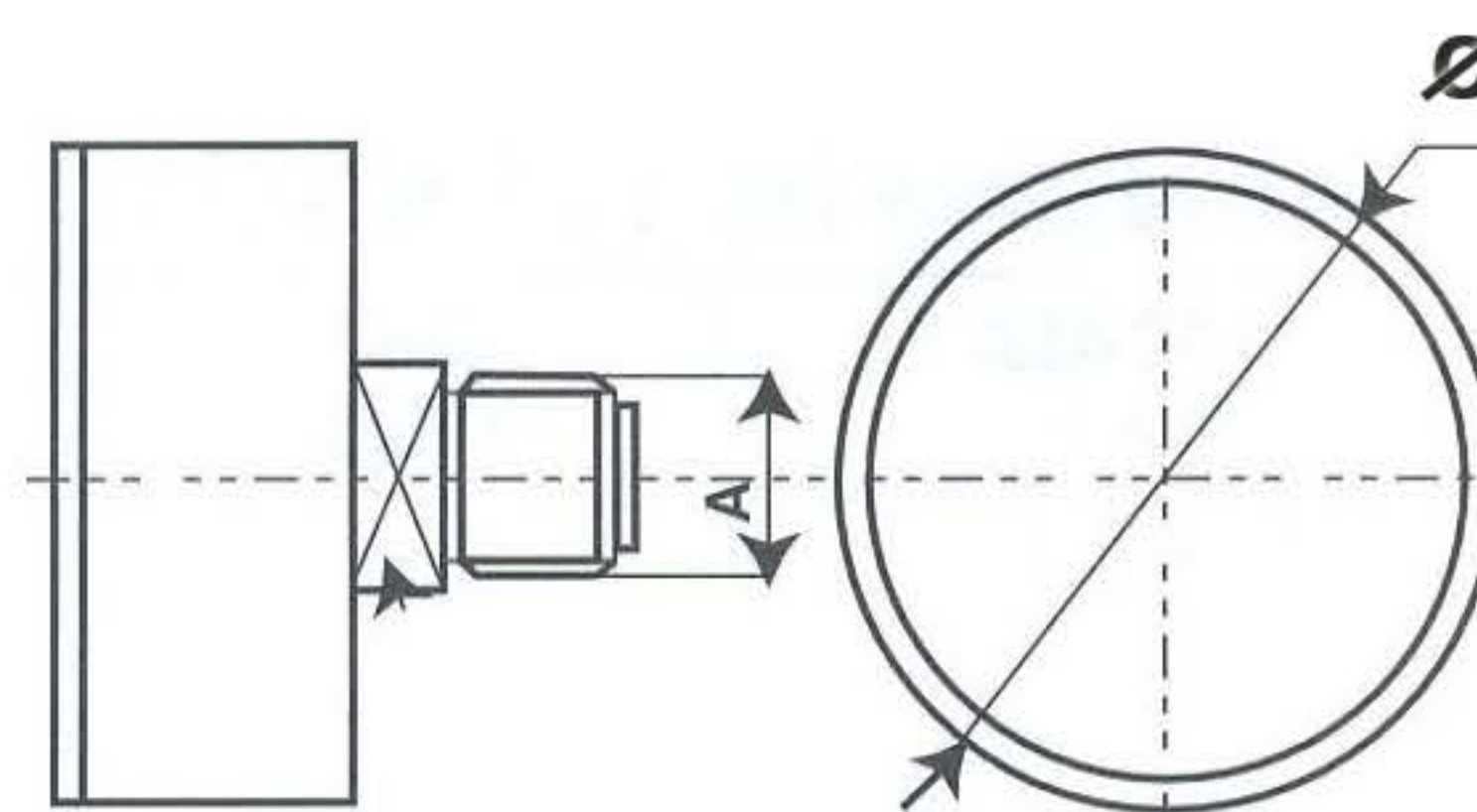


MANOMETRI POSTERIORI A SECCO

SCALA BAR	Ø25 COD.	Ø40 COD.	Ø50 COD.	Ø63 COD.	Ø80 COD.
0÷2,5		14P04A8002	14P05A8002	14P06A4002	14P08M2002
0÷4		14P04A8004	14P05A8004	14P06A4004	
0÷6		14P04A8006	14P05A8006	14P06A4006	14P08A2006
0÷10					14P08A2010
0÷12	14P02A8012	14P04A8012	14P05A8012	14P06A4012	
0÷16		14P04A8016	14P05A8016	14P06A4016	
ATTACCO "A"	1/8 GAS	1/8 GAS	1/8 GAS	1/4 GAS	1/4 GAS
CASSA	ABS	ABS	ABS	ABS	Metallica

MANOMETRI POSTERIORI IN GLICERINA

SCALA BAR	Ø63 COD.	Ø100 COD.
0÷2,5	14P06G4002	14P10G2002
0÷4	14P06G4004	
0÷6	14P06G4006	
0÷10	14P06G4010	
0÷16	14P06G4016	
0÷25	14P06G4025	14P10G2025
0÷40	14P06G4040	14P10G2040
0÷60	14P06G4060	14P10G2060
0÷100	14P06G4100	14P10G2100
0÷160	14P06G4160	14P10G2160
0÷250	14P06G4250	14P10G2250
0÷315	14P06G4315	
0÷400	14P06G4400	
0÷600	14P06G4600	
ATTACCO "A"	1/4 GAS	1/2 GAS
CASSA	INOX	



VUOTOMETRI POSTERIORI A SECCO

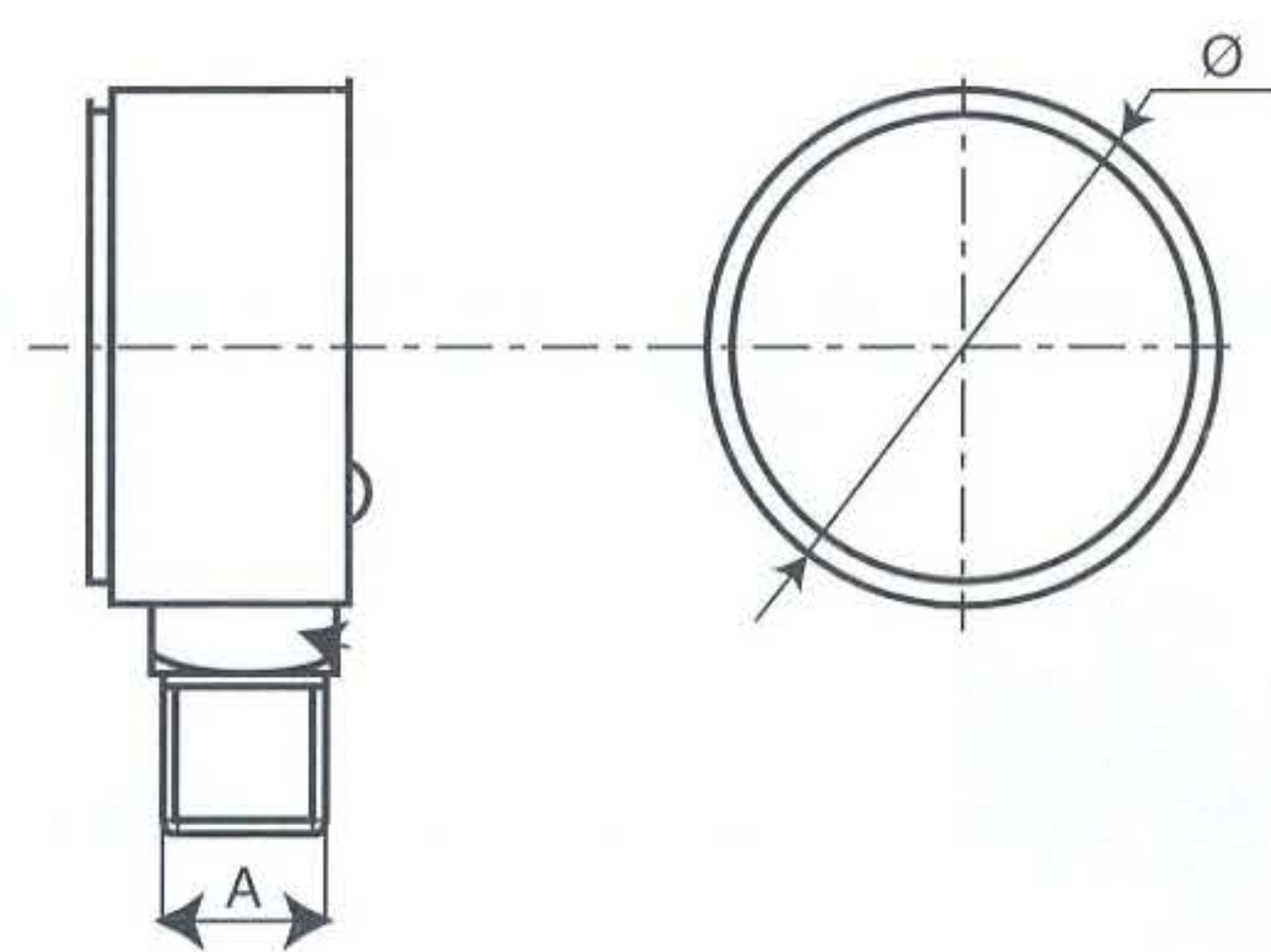
SCALA BAR	Ø40	Ø63	Ø80
-1÷0	14VP04M800	14VP06M400	14V08M400
ATTACCO "A"	1/8 GAS	1/4 GAS	1/4 GAS
CASSA	Metallica	Metallica	Metallica

MANOMETRI RADIALI A SECCO

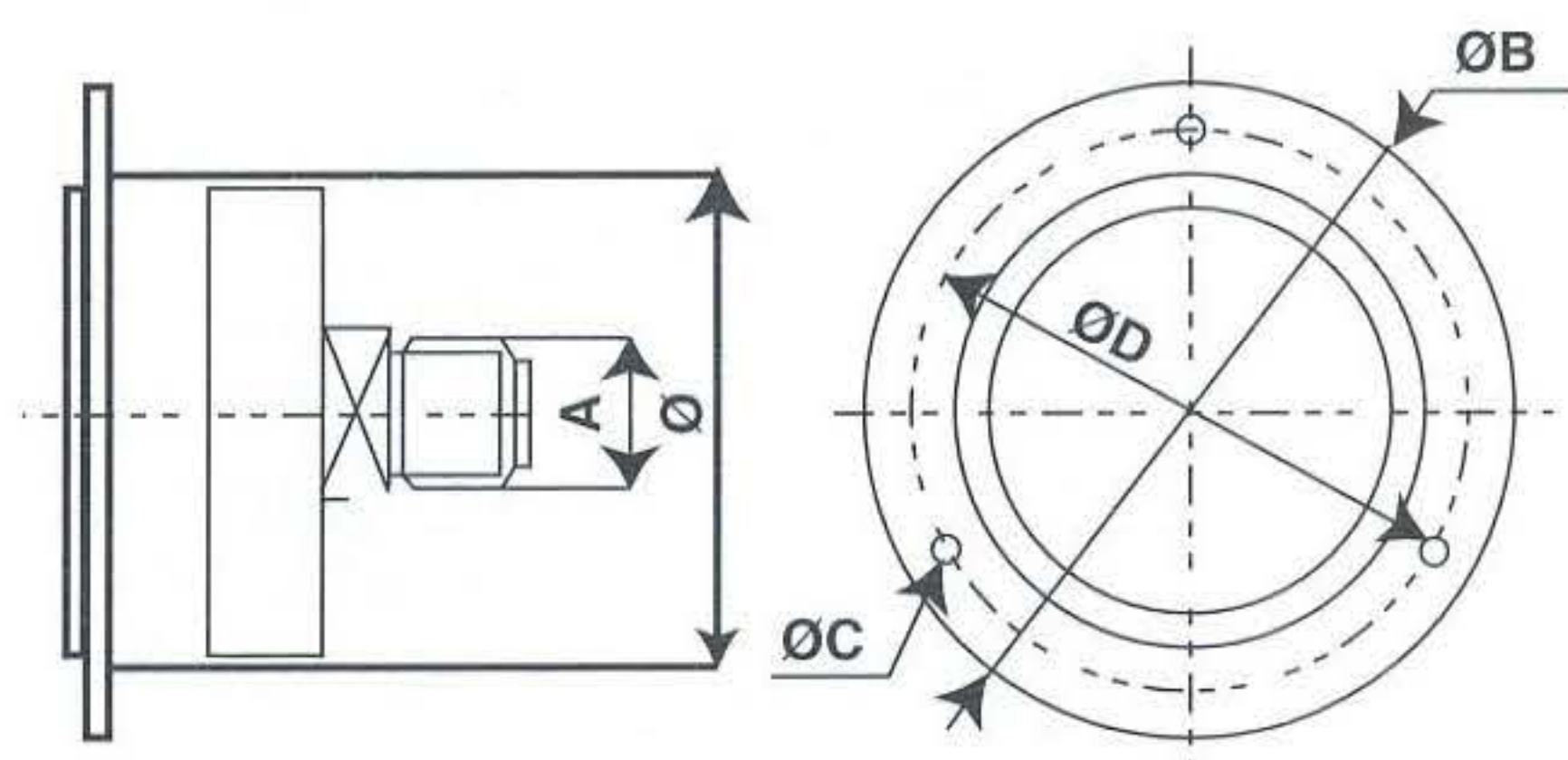
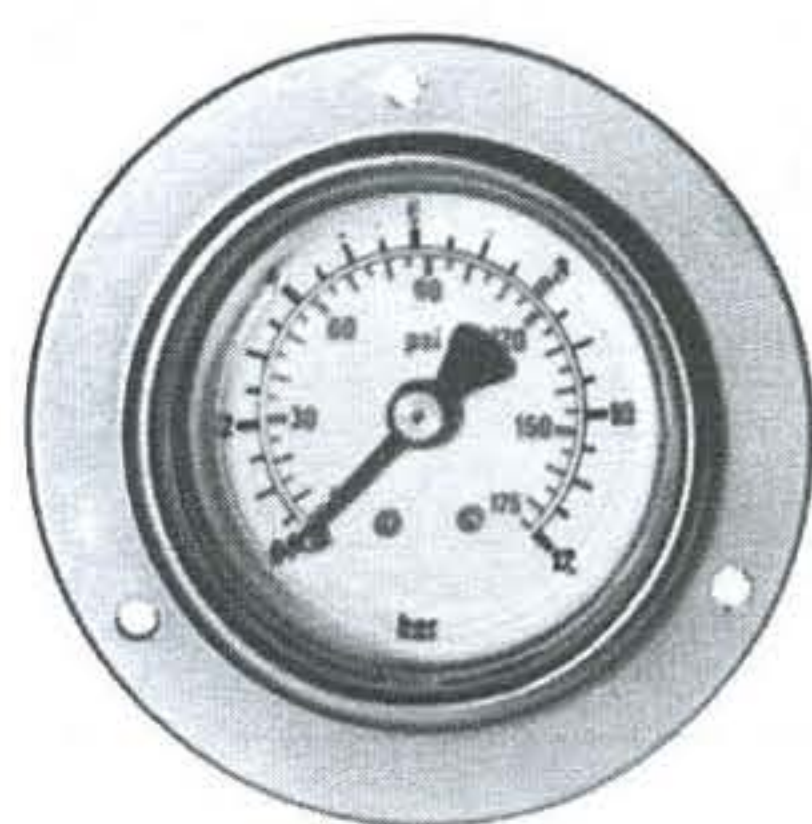
SCALA BAR	Ø40 COD.	Ø50 COD.	Ø63 COD.	Ø80 COD.	Ø100 COD.
0÷2,5	14R04A8002	14R05A4002	14R06A4002	14R08M2002	
0÷4	14R04A8004	14R05A4004	14R06A4004	14R08A2004	14R10M2004
0÷6	14R04A8006	14R05A4006	14R06A4006	14R08A2006	14R10M2006
0÷10				14R08A2010	14R10M2010
0÷12	14R04A8012	14R05A4012	14R06A4012		
0÷16	14R04A8016	14R05A4016	14R06A4016		
ATTACCO "A"	1/8 GAS	1/4 GAS	1/4 GAS	1/2 GAS	1/2 GAS
CASSA	ABS	ABS	ABS	Metallica	Metallica

MANOMETRI RADIALI IN GLICERINA

SCALA BAR	Ø63 COD.	Ø100 COD.	Ø160 COD.
0÷2,5	14R06G4002	14R10G2002	14R16G2002
0÷4	14R06G4004	14R10G2004	
0÷6	14R06G4006	14R10G2006	
0÷10	14R06G4010	14R10G2010	
0÷16	14R06G4016	14R10G2016	
0÷25	14R06G4025	14R10G2025	
0÷40	14R06G4040	14R10G2040	
0÷60	14R06G4060	14R10G2060	14R16G2006
0÷100	14R06G4100	14R10G2100	14R16G2100
0÷160	14R06G4160	14R10G2160	14R16G2160
0÷250	14R06G4250	14R10G2250	14R16G2250
0÷315	14R06G4315	14R10G2315	
0÷400	14R06G4400	14R10G2400	14R16G2400
0÷600	14R06G4600	14R10G2600	
ATTACCO "A"	1/4 GAS	1/2 GAS	1/2 GAS
CASSA	INOX		


VUOTOMETRI RADIALI A SECCO

SCALA BAR	Ø40	Ø50	Ø63	Ø80	Ø100
-1÷0	14VR04A800	14VR05A400	14VR06A400	14VR08M200	14VR10M200
ATTACCO "A"	1/8 GAS	1/4 GAS	1/4 GAS	1/2 GAS	1/2 GAS
CASSA	ABS	ABS	ABS	Metallica	Metallica


MANOMETRI FLANGIATI A SECCO

SCALA BAR	Ø40 COD.	Ø50 COD.	Ø63 COD.
0÷2,5	14F04M8002		14F06M4002
0÷4	14F04M8004	14F05M4004	14F06M4004
0÷6	14F04M8006	14F05M4006	14F06M4006
0÷10			
0÷12	14F04M8012	14F05M4012	14F06M4012
0÷16			
ATTACCO "A"	1/8 GAS	1/4 GAS	1/4 GAS
ØB	61,2	71	84,6
ØC	3,5	3,6	3,6
ØD	51	60	75
CASSA	Metallica		

MANOMETRI FLANGIATI IN GLICERINA

SCALA BAR	Ø63 COD.	Ø100 COD.
0÷2,5		
0÷4		
0÷6	14F06G4006	14F10G2006
0÷10	14F06G4010	14F10G2010
0÷16		14F10G2016
0÷25		14F10G2025
0÷40		14F10G2040
0÷60		14F10G2060
0÷100		14F10G2100
0÷160		14F10G2160
0÷250	14F06G4250	14F10G2250
0÷315		
0÷400	14F06G4400	14F10G2400
0÷600		14F10G2600
ATTACCO "A"	1/4 GAS	1/2 GAS
ØB	84,6	
ØC	3,6	
ØD	75	
CASSA	INOX	